

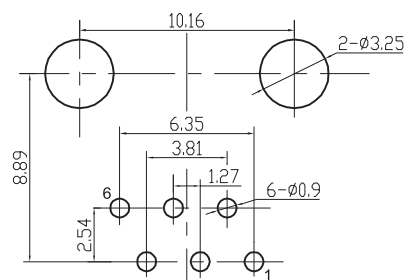
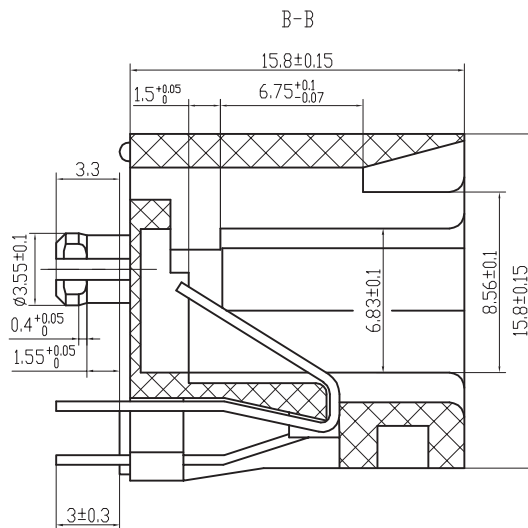
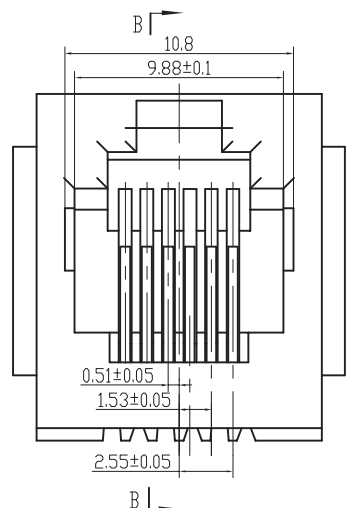
1

2

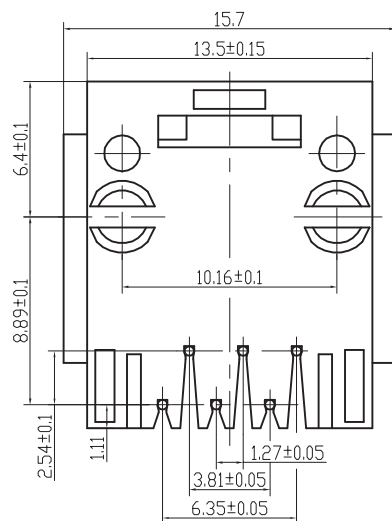
3

4

5



PCB LAYOUT - COMPONENT VIEW
TOLERANCES ±0.05



TECHNICAL CHARACTERISTICS

MATERIAL
INSULATOR MATERIAL: PBT
COLOR: BLACK
FLAMMABILITY RATING: UL94-V0
CONTACT MATERIAL: COPPER ALLOY
CONTACT TYPE: STAMPED
CONTACT PLATING: GOLD
QUALITY CLASS: 500 MATING CYCLES

ENVIRONMENTAL
OPERATING TEMPERATURE: -25 °C UP TO 85 °C
COMPLIANCE: LEAD FREE AND ROHS

ELECTRICAL
CURRENT RATING: 1.5 A
WORKING VOLTAGE: 120 VAC
INSULATION RESISTANCE: >500 MΩ
DIELECTRIC WITHSTANDING VOLTAGE: 1 000 VAC/MIN
CONTACT RESISTANCE: 20 mΩ MAX

STANDARD
ROHS CERTIFIED: E324776

SOLDERING
JEDEC LEAD FREE WAVE SOLDERING PROCESS

PACKAGING
TRAY

A

B

C

RoHS Compliant

PROJECTION:



GENERAL TOLERANCE

.X = +/- 0.2

.XX = +/- 0.15



APPROVAL: RJ

UNIT: MM

SCALE:

SHEET: 1/1

DRAW:

DESCRIPTION: VERTICAL PLASTIC 6P6C MODULAR JACK WITH EARS

WERI PART NO: 615 006 138 521

SIZE

A4

D

J	28-JUL-14	GENERAL UPDATE	AS
I	03-JAN-1	TPK DWG ADD	QL
H	19-AUG-13	DIM CORRECTION	QL
REV	DATE	FILE	BY

Mouser Electronics

Authorized Distributor

Click to View Pricing, Inventory, Delivery & Lifecycle Information:

[Würth Electronics:](#)

[615006138521](#)